

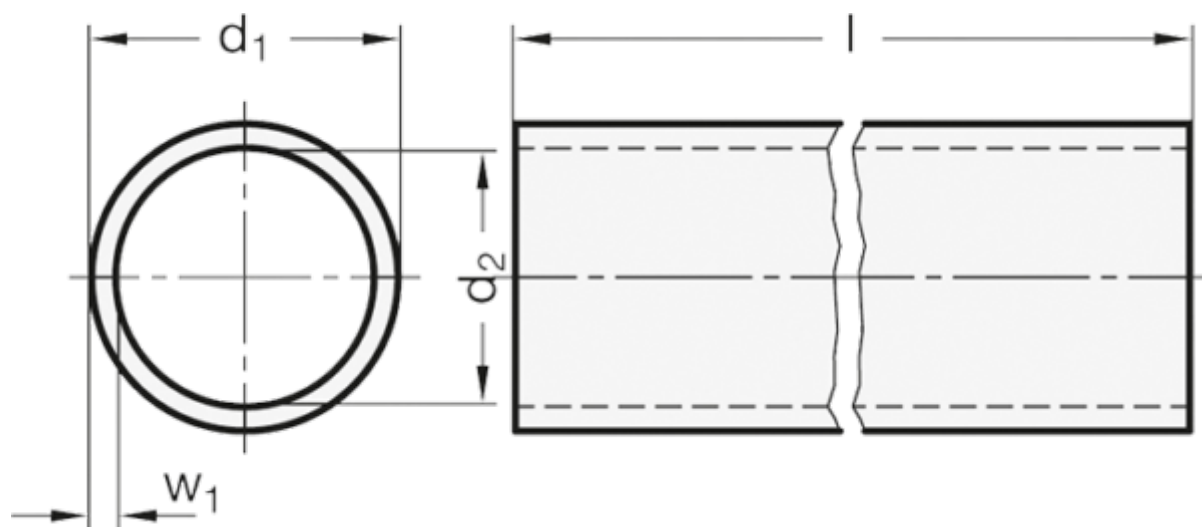
Data Sheet



Article number: 20990NID40500BL

Description: E+G GN 990 Construction tube round
GN 990-NI-D40-500-BL

Measures



d_1 = D40 +0.15/-0.2

d_2 = 34

$l \pm 0.5$ = 500

w_1 = 3

Weight in (g) = 1250